



PRODUCT

USE INSTRUCTIONS



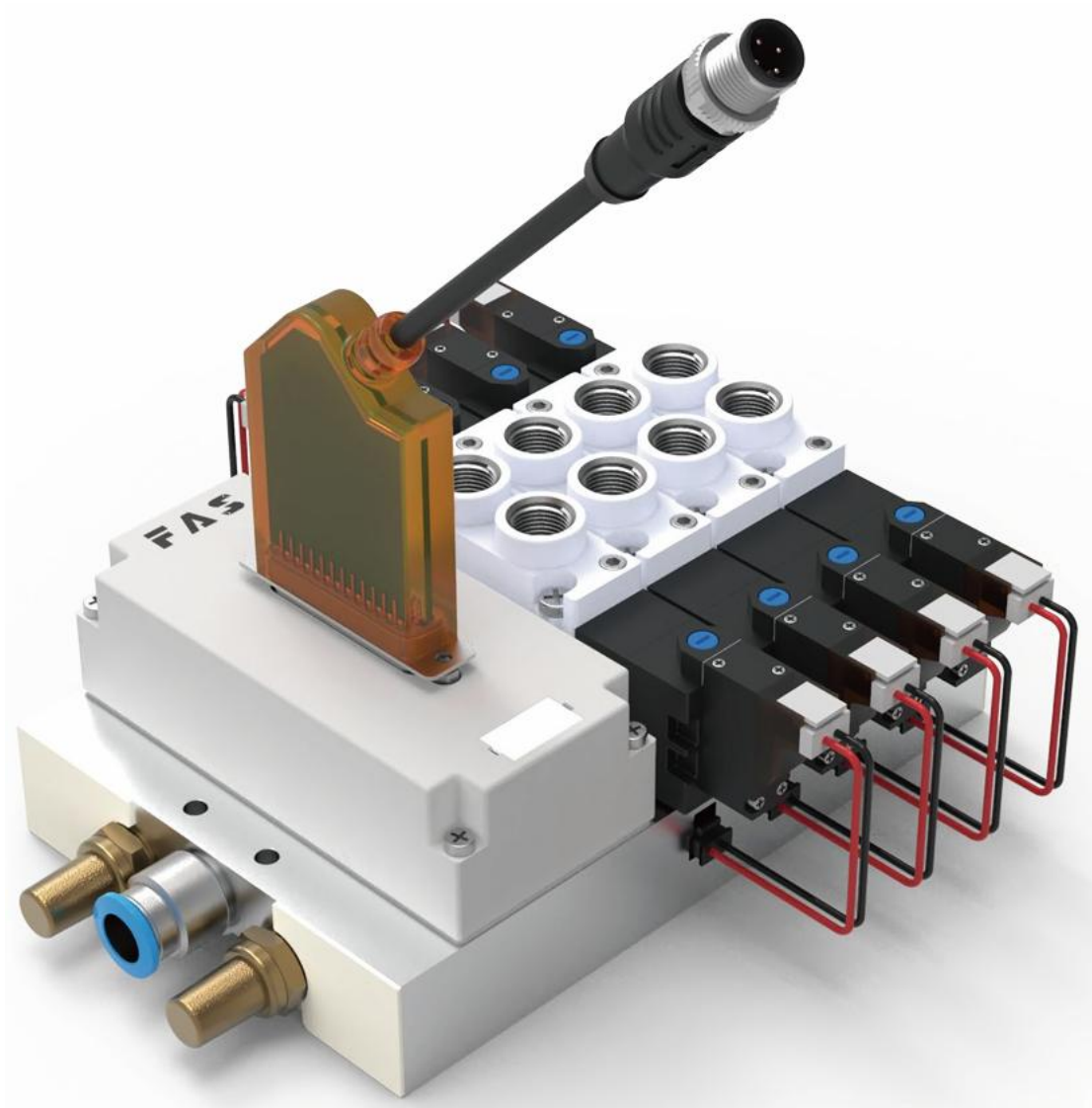
[Technical support]

Ordering code: 00BP11

Part number: FNI IOL-751-V04-K007

Valve island adapter user manual

SUB-D 25 Pin



Contents

Valve island adapter user manual	2
SUB-D 25 Pin	2
Safety	4
1. Component function description	6
1.1 Overall introduction to the adapter	6
2. Interface definition	7
2.1 IO-Link interface	7
2.2 Mechanical dimensions	7
3. IO-Link data	8
3.1 Communication parameters	8
3.2 Process data/output data	8
3.3 Electrical parameters	9
3.4 PIN distribution and location	9
3.5 Error code	10
3.6 Event	10
4. Appendix	11
4.1 Ordering information	11

Security

■ Expected use

This manual describes as decentralized input and output modules for connecting to an industrial network.

■ Installation and start-up

Precautions!

Installation and start-up may only be performed by trained personnel. A qualified individual is one who is familiar with the installation and operation of the product and has the necessary qualifications to perform such operations. Any damage caused by unauthorized operation or illegal and improper use is not covered by the manufacturer's warranty. The equipment operator is responsible for ensuring that appropriate safety and accident prevention regulations are observed.

■ Corrosion resistance

Precautions!

FNI modules generally have good chemical and oil resistance. When used in corrosive media (e.g. high concentrations of chemicals, oils, lubricants, coolants and other material media (i.e. very low water content), these media must be checked before the corresponding application material compatibility. If a module fails or is damaged due to this corrosive medium, a defect claim cannot be made.

■ Dangerous voltage

Precautions!

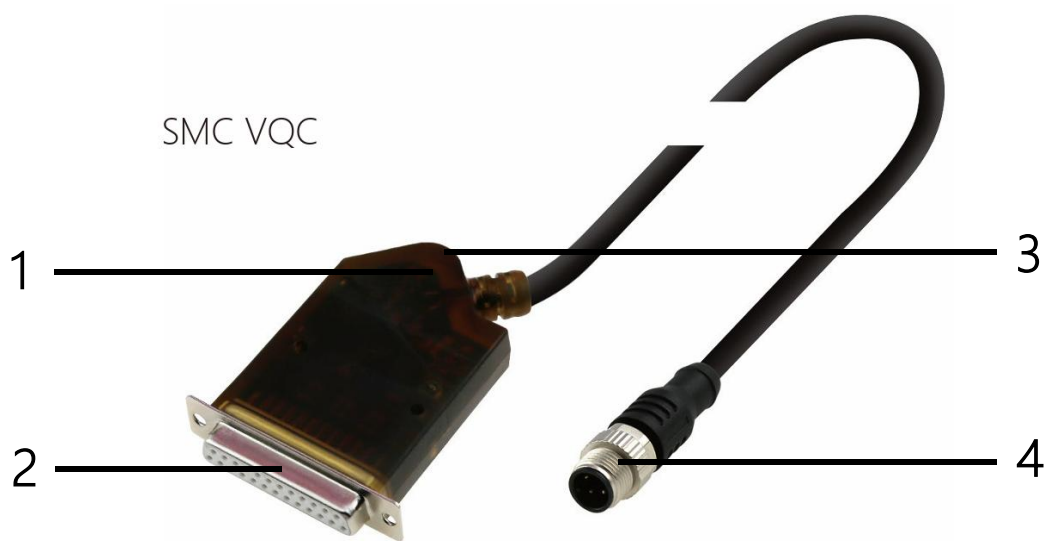
Disconnect all power before using the device!

■ General security

Debugging and inspection	Trouble	Owner/operator obligations	Expected use
<p>Before debugging, read the user manual carefully.</p>	<p>If the defect or equipment failure cannot be corrected, the operation of the equipment must be stopped to avoid damage that may be caused by unauthorized use.</p>	<p>This equipment is an EMC Class A compliant product. This device produces RF noise.</p>	<p>The warranty and limited liability statement provided by the manufacturer does not cover damage caused by:</p> <ul style="list-style-type: none"> ·Unauthorized tampering ·Improper use operation <p>·The instructions provided in the user manual explain the use, installation and handling of discrepancies</p>
<p>This system cannot be used in an environment where the safety of personnel depends on the functionality of the equipment.</p>	<p>Only after the housing is fully installed can the intended use be assured.</p>	<p>The owner/operator must take appropriate precautions to use this equipment.</p> <p>This device can only use the power supply that matches this device, and can only connect cables approved for application.</p>	

1.Component function description

1.1 Overall introduction to the adapter

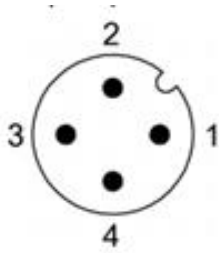


1	2	3	4
Communication indicator light (Green)	SUB-D 25-pin connector	Error light (Red)	IO-Link interface

2.Interface definition

2.1 IO-Link interface

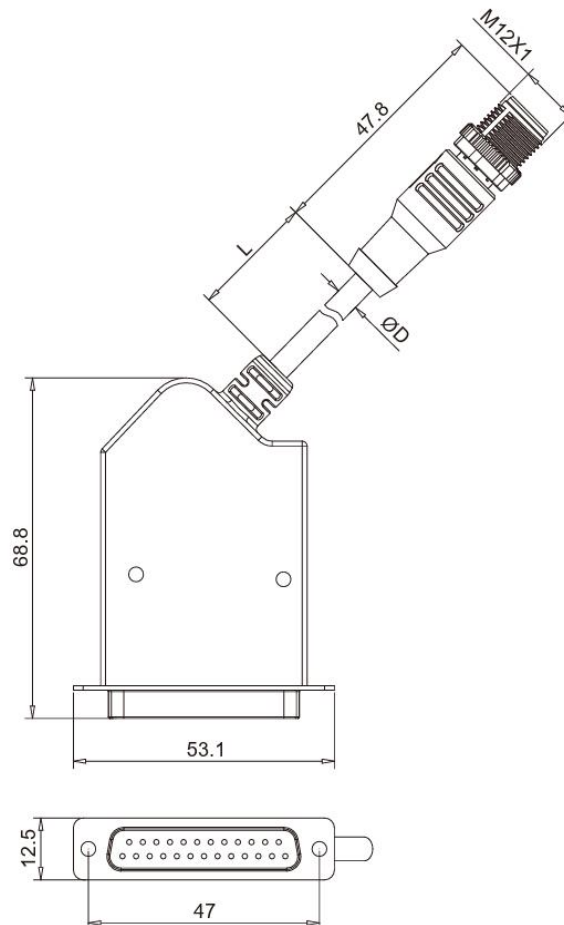
M12,A-Coded, Male



Pin	Illustrate
1	Power supply, +24V
2	Actuator power supply, +24V
3	GND
4	C/Q, IO-Link data transmission channel

2.2 Mechanical dimensions

Project	Specification
Dimensions (Width x Height x Depth)	53.1MMx68.8MMx12.5MM



3.IO-Link data

3.1 Communication parameters

Data transmission baud rate	COM2 (38.4kbit/s)
Minimum cycle time	3ms
IO-Link processing data length	4 output bytes
Output	24

3.2 Process data/output data

For 00BP11, the IO-Link processing data length is 4 bytes:

If the starting address of output allocation is 64, then the address of the 0th point output is Q67.0, and the 23rd point output address is Q65.7.

As shown in the figure below: 0 is the MSB and 3 is the LSB.

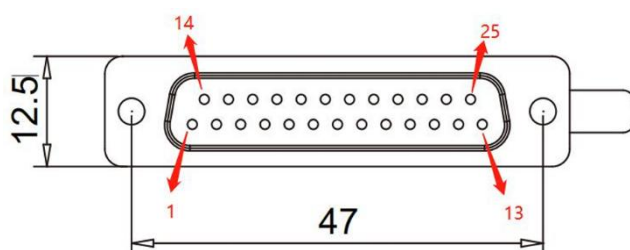
Byte	0								1							
Bit	7	6	5	4	3	2	1	0	7	6	5	4	3	2	1	0
Describe	Reserved								Point 23	Point 22	Point 21	Point 20	Point 19	Point 18	Point 17	Point 16
Byte	2								3							
Bit	7	6	5	4	3	2	1	0	7	6	5	4	3	2	1	0
Describe	Point 15	Point 14	Point 13	Point 12	Point 11	Point 10	Point 9	Point 8	Point 7	Point 6	Point 5	Point 4	Point 3	Point 2	Point 1	Point 0

3.3 Electrical parameters

Rated working voltage	18...30.2 VDC
Total current Us	1.6A
Error light	Red LED indicator light
Communication indicator light	Green LED indicator light
IO-Link port wiring configuration (M12, A-coded, Male)	Pin 1: +24 V supply voltage
	Pin 2: Operating voltage +24 V
	Pin 3: Ground, reference potential
	Pin 4: Q/C, IO-Link

3.4 PIN distribution and location

The PIN distribution is shown in the figure below



For 00BP11 PIN definition and point relationship are as follows:

PIN	14	15	16	17	18	19	20	21	22	23	24	25	
Describe	Point 12	Point 13	Point 14	Point 15	Point 16	Point 17	Point 18	Point 19	Point 20	Point 21	Point 22	Point 23	
PIN	1	2	3	4	5	6	7	8	9	10	11	12	13
Describe	Point 0	Point 1	Point 2	Point 3	Point 4	Point 5	Point 6	Point 7	Point 8	Point 9	Point 10	Point 11	COM(+ 24V)

3.5 Error code

Error code	Additional code
Device application error 0x80	Index not available 0x11
	Subindex not available 0x12
	Value out of range 0x30

3.6 Event

Class/qualifier			Code (high + low)			
Model	Type	Example				
Appear	Mistake	AL	Device hardware	Powered by	Power supply low voltage	U2=Power supply +24V
0xC0	0x30	0x03	0x5000	0x0100	0x0010	0x0002
0xF3			0x5112			
Disappearance	Mistake	AL	Device hardware	Powered by	Power supply low voltage	U2=Power supply +24V
0x80	0x30	0x03	0x5000	0x0100	0x0010	0x0002
0xB3			0x5112			
Appear	Mistake	AL	Device hardware	Powered by	Power supply for peripherals	
0xC0	0x30	0x03	0x5000	0x0100	0x0060	
0xF3			0x5160			
Disappearance	Mistake	AL	Device hardware	Powered by	Power supply for peripherals	
0x80	0x30	0x03	0x5000	0x0100	0x0060	
0xB3			0x5160			

4. Appendix

4.1 Ordering information

Product ordering code	Order code
FNI IOL-751-V04-K007	00BP11

High quality products · Sincere service



[Technical support]



[Official website]



Telephone : 0591-22991876

Technical support : +86 13306936805

Official website: www.faselec.com

Business support : +86 19905006938

Address: Room 009, A1, Building 1, National University Science and Technology
Park Science and Technology Innovation Center, No. 6 Qiuyang East Road,
Shangjie Town, Minhou County, Fujian Province.